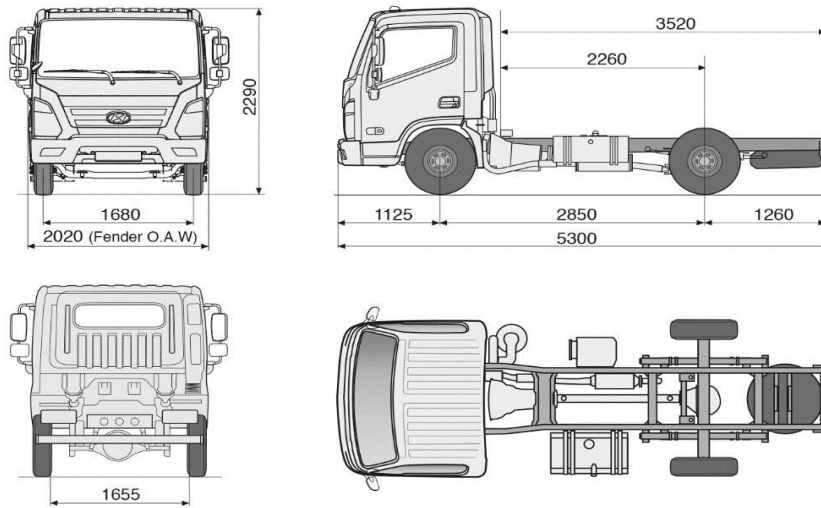


EX5 Cargo Short Wheelbase

HYUNDAI MIGHTY



Cab	Width	Wide
	Length	Standard
	Height	High
Wheel Base		Short
Drive System		4 X 2
Application Engines		D4DC / D4DB-d

Dimensions (mm)

Wheel Base		2,850
Overall (Chassis Cab)	Length	5,300
	Width	2,028 (Door handle)
	Height	2,290
Wheel Tread	Front	1,680
	Rear	1,655
Overhang (Chassis Cab)	Front	1,125
	Rear	1,325
C.A (Cab to rear Axle)		2,260
C.E (Cab to End of frame)		3,520
Min. Ground Clearance		220
Min. Turning Radius	m	5.3

Weight (kg)

Chassis Cab Weight		2,365
	Front	1,595
	Rear	770
** Max Gross Vehicle Weight		5,500
	Front	2,530
	Rear	2,970

** Max. GVW includes the front & rear axle loads based on the permissible tire load.

Chassis Specifications Engine

Model		D4DC	D4DB-d
Type		natural aspiration 4 stroke-cycle, water-cooled, direct-injection diesel engine	Turbo Charger Intercooler 4 in-line
Number of Cylinder			4 in-line
Piston Displacement (cc)			3,907
Compression Ratio		18.1 : 1	18.0 : 1
Bore x Stroke (mm)			ø104 x115
Max. Power (ps/rpm)	EURO I	120 / 3,200	-
	EURO II	-	120 / 2,900
Max. Torque (kg.m/rpm)	EURO I	26 / 2,000	-
	EURO II	-	30 / 2,000
Cooling System	General	Water cooling type with thermostat, forced circulations by centrifugal pump	
	Cooling fan	Suction type with mechanical fan clutch	
	Radiator	Corrugated Fin and tube type with pressure cap and condenser tank	
Electrical System	Battery	MF 90AH	
	Alternator	24V - 40A (OPT : 70A)	
	Starter	24V-5.0kW	
Fuel System	Injection pump	Doowon in-line type	Doowon in-line type (or Denso Inline type)
	Governor	Mechanical type	
	Fuel Filter	Spin-on type	
Oil System	Lubrication	Forced lubrication by gear pump	
	Oil filter	Filter with paper element	
	Oil cooler	Shell-and-plate type	
Air cleaner		API classification service GF-4 or above	
Valve System		Cyclonic dry paper element Overhead valve, Two valves per cylinder	

** Max. Power and Torque of engine may vary according to each country.

Clutch

Type	Hydraulic control, Diaphragm spring, Single dry plate, Pre-Damper
Facing Material	Non-Asbestos
Facing Size (mm) ; Outside dia. x Inside dia.	ø300 x ø190

Transmission

Model		M2S5	M3S5
Type		Floor shift, 5 speed manual	
Gear Ratio	1st	5.494	5.181
	2nd	2.836	2.865
	3rd	1.592	1.593
	4th	1.000	1.000
	5th	0.746	0.739
	Reverse	5.494	5.181
Gear Oil		SAE80W90 (Temperate & Frigid zone), SAE90 (Tropical zone)	
T.G.S. (Transmission Gear Shift)		Floor shift, Mechanical remote control	

HYUNDAI MIGHTY_EX5 Cargo

Rear Axle

Type	Full floating type		
Capacity	Kg	4,700	
Final Reduction Gear	Type	Single Reduction, Hypoid gear	
	G/Ratio	6.666	6.166 (OPT: 6.666)

Front Axle

Type	Reverse Elliot type " I " beam		
Capacity	Kg	2,300	

Tire & Wheel

Type	Single Front, Single Rear		
Tire	Front	7.00R16 - 12PR	
	Rear	7.50R16 - 14PR	
Wheel	Front	16 x 5.50F	
	Rear	16 x 6.00GS	

Steering

Type	4-Spoke, Ball-nut type, Tilt & Telescopic steering column		
Tilting Angle	-3.7 ° ~ 5.8 °		
Turning Angle	Inner	44.5 °	
	Outer	32 °	

Service Brake

Actuation	Hydraulic with vacuum servo assistance, dual circuit		
Size (mm)	Front/ Rear	ø320 x 110 x 11	
Total lining area	2,826cm ²		
Adjuster	Depending on national sales condition		

Parking Brake

Actuation	Internal expanding type on propellarshaft at the rear of transmission assy		
Size (mm)	Drum diameter x Lining width x Lining thickness : ø180 x 35 x 5		
Total lining area	132cm ²		

Exhaust Brake

Type	Overhead valve, Two valves per cylinder		
------	---	--	--

Suspension

Type	Front/ Rear	Multi / Multi	
Shock absorber	Air double acting telescopic type on the FRONT/REAR axle		

HYUNDAI MIGHTY_EX5 Cargo

Exhaust system

General	Conventional (horizontal) type muffler
Tail pipe	Droptail type, blowing to chassis rearward

Fuel tank

Capacity	100 ℓ
Material	Steel

Frame

Type	“H” type frame with channel sectional side rail & cross members, side rail is reinforced with outer stiffeners
Main section side rail dimension (mm)	Depth x Flange x Thickness : 183 x 60 x 6t

Annotations

- 1) Empty vehicle weight and curb weight shown are to 3.5% variation to allow for production tolerance.
- 2) Empty vehicle weight and curb weight include weight of oil, fuel, coolant and spare tire carrier & bracket, spare tire but exclude standard tool set
- 3) The vehicle specifications may differ per country.
- 4) Hyundai motor company reserves the right to alter the specifications, equipment or options or discontinue the models at any time without prior notice.