



## NEW THINKING. NEW POSSIBILITIES.

People's expectation toward individual mobility requires more than just a convenient means of transportation. The old understanding of cars has become outdated. A car represents individuals' lifestyles, and it became an integral part of their lives. At the same time, the automobile industry has experienced seismic change. Hyundai Motor Company has grown rapidly to become one of the largest automakers, backed by world class production capability and superior quality. We have now reached a point where we need a qualitative approach to bring bigger ideas and relevant solutions to our customers. This is an opportunity to move forward and we have developed a new brand slogan that encapsulates our willingness to take a big leap. Led by our new slogan and the new thinking underlying it, we will become a company that keeps challenging itself to unlock new possibilities for people and the planet.

Hyundai Motor Company

[www.hyundai.com](http://www.hyundai.com)  
GEN. LHD 1208 ENG

Copyright © 2012 Hyundai Motor Company. All Rights Reserved.

 NEW THINKING.  
HYUNDAI NEW POSSIBILITIES.

# County





## A Coach with a **Passion** for **Travel**

Its dimensions are small but where looks are concerned it numbers among the greats.

And it offers maximum comfort for your passengers.

It's the County. The smooth outer shell with its flush panoramic windows is practically easy to clean and maintain.

Further, practical and functional outside mirrors ensure excellent all-round vision.

In short, County is impressive in every respect.





## STYLING

# The Bus of the **Future** is **Now Here**

Futuristic and unique, the County styling beautifully harmonizes with its practical personality. Rounded edges and flush fitting surfaces contribute to a clean, simple image.



### Front Bumper and Fog Lamp

A large and sturdy front bumper adds a muscular note to the elegant body styling theme while the built-in fog lamps provide additional illumination for greater safety in rain and fog.



### Electric Chrome-Coated Outside Mirror (Optional)



### Rear Spoiler (Optional)

Rear spoiler is applied to give a magnificent look to the rear body.



### Side Repeater



### Fixed Type Side Glass

Fixed type side glass not only enhances the overall elegance but offers improved visibility. (Optional)



### Rear Garnish

Painted black, it lends a muscular look and provides thematic continuity between the side glass and rear section.



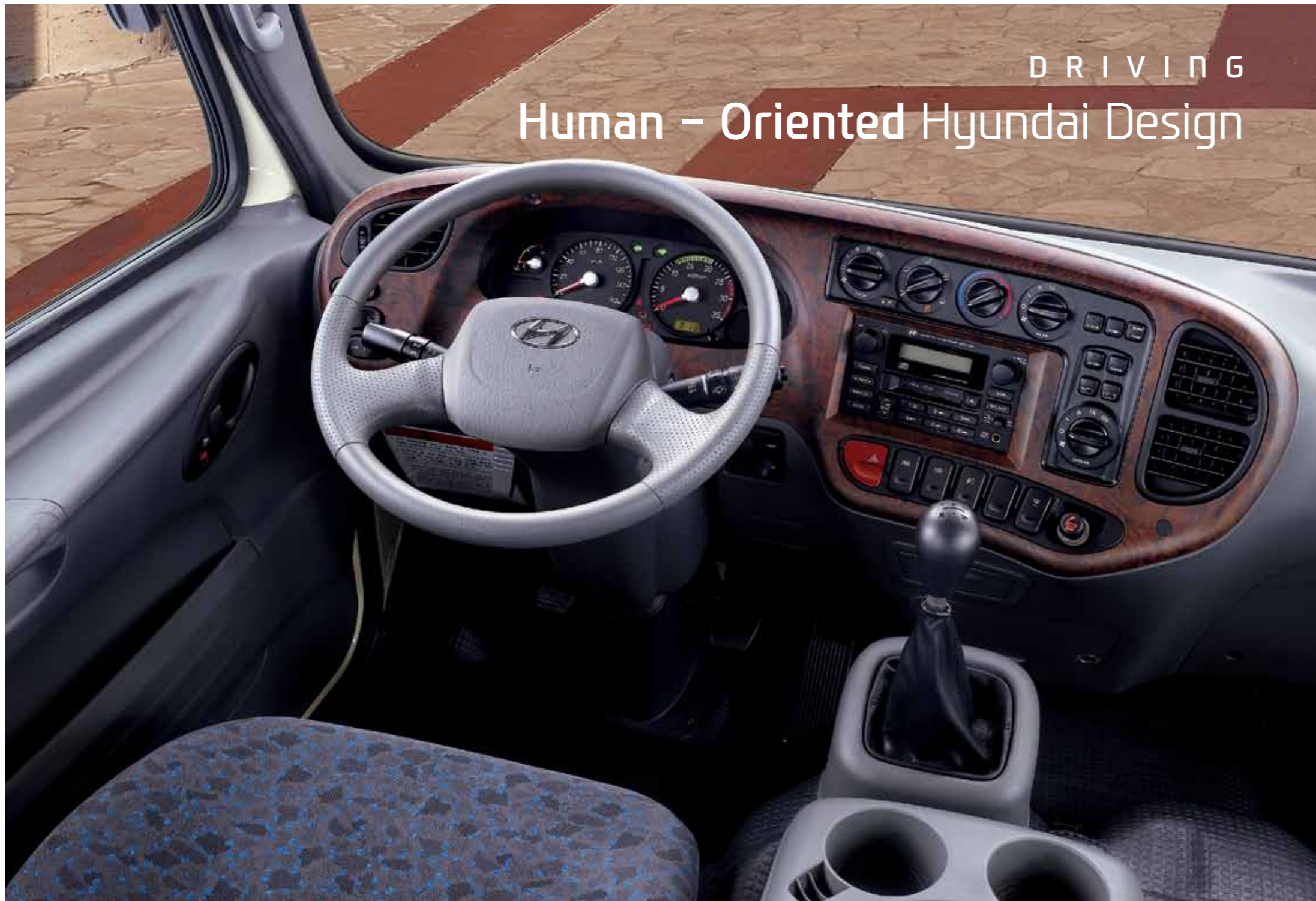
### Rear Bumper

One piece-type steel bumper is gently rounded around the edges for a soft look that matches the overall design theme.





DRIVING  
Human - Oriented Hyundai Design



**Roomy Cabin**  
For greater passenger comfort, the cabin is now wider and taller to provide best in-class comfort and convenience.



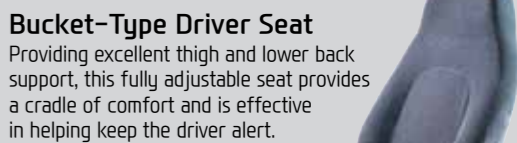
**Full- Formed Headliner**  
The County headliner borrows passenger car technology to create a full formed, elegantly contoured surface which enhances interior elegance. (Package option with A/con)



**Instrument Panel**  
Logically organized gauges and controls provide the ultimate in driving convenience.

INTERIOR  
**Perfection in Form and Function**

Reflecting the human-oriented Hyundai design technology, the County interior combines outstanding ergonomics and aesthetics to provide a higher level of comfort for the driver and passengers. Also, a perfectly designed ventilation system, including large sized air conditioner and pre-heater, provides additional comfort.



**Bucket-Type Driver Seat**  
Providing excellent thigh and lower back support, this fully adjustable seat provides a cradle of comfort and is effective in helping keep the driver alert.



**Lumbar Support**  
An option on the DLX, lumbar support greatly reduces driver fatigue on long trips.



**Air Conditioning Louvers and Reading Lamps**  
Louvers are installed over each passenger seat and can be aimed precisely. Ducts are now larger for improved air flow. Powerful reading lamps make for comfortable, relaxed travel. (Available with A/Con package option in the Deluxe model)



**Passenger Seat Safety Belts**  
Featuring a new and improved design, these seat belts are essential safety features and are provided as standard equipment. (Option on the standard model)



**Overhead Shelves**  
Neatly styled overhead shelves provide a handy place for passengers to stow away their belongings. (Available with A/con package option on the Deluxe model)



**Fuel Lid Center Locking System**  
Cable-actuated fuel lid center locking system makes fueling easier.



**Steering Wheel**  
It is a lot more luxurious by applying 3D "H" logo emblem on the steering wheel.



**Driver's Hanger**



# POWER

## Smooth, Responsive and Economical

The County's D4DD 4-cylinder common rail direct injection(CRDi) turbo diesel engine is ideal for the travel. 140ps at 2,800rpm ensures impressive performance, and 5-speed transmission guarantees smooth gearshifts. The County also has disc brakes with ABS for active safety.



### The New Engine D4GA(TCI) 150ps / 2,500rpm

- Displacement : 3,907cc
- Max. Torque : 59kg-m/1,400rpm



The new CRDi(common rail direct injection) engine in the Hyundai produces 150ps and is capable of very fast acceleration with high torque even at low rpm.

### TCI Engine



D4DB

155ps / 2,900rpm

- Displacement : 3,907cc
- Max. Torque : 38kg-m/1,800rpm



D4DB-d

120ps / 2,900rpm

- Displacement : 3,907cc
- Max. Torque : 30kg-m/2,000rpm

### PA Engine



D4DC

120ps / 3,200rpm

- Displacement : 3,907cc
- Max. Torque : 30kg-m/2,000rpm



D4AL

115ps / 3,400rpm

- Displacement : 3,298cc
- Max. Torque : 29kg-m/2,000rpm



D4DD

140ps / 2,800rpm

- Displacement : 3,907cc
- Max. Torque : 38kg-m/1,600rpm



D4AF

100ps / 3,400rpm

- Displacement : 3,568cc
- Max. Torque : 24kg-m/2,000rpm

\* Max. Power and Torque of engine may vary according to each country.

# SAFETY

## New Technology for Advanced Protection

Hydraulic with vacuum assisted brake system and optional ABS, large 9+10" tandem booster provides safety and stability for the vehicle.



### Disc Brakes

For safer stops, Hyundai offers disc brakes which include a pad wear indicator.(Option)



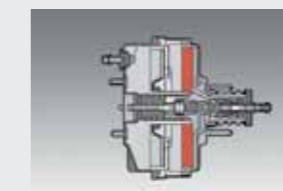
### Load Sensing Proportioning Valve

For safer stops, the Load Sensing Proportioning Valve selectively distributes hydraulic brake pressure between the front and rear wheels depending on the distribution of the passenger load.(Deluxe option)



### Exhaust Brake

Very effective while braking on steep descents, the engine exhaust brake reduces wear on the wheel brakes. (Deluxe option)

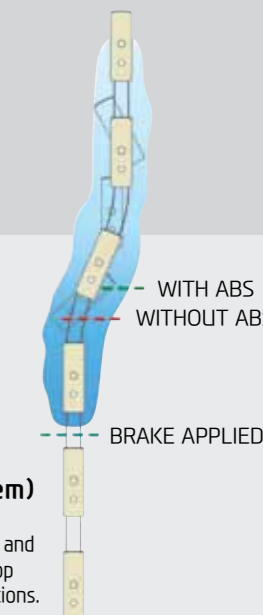


### 9+10 Brake Booster

Large size tandem booster provides plenty of hydraulic brake pressure to significantly reduce brake pedal force requirements.

### ABS(Anti-Lock Brake System)

ABS can detect wheel lock which can cause the vehicle to skid out of control and bring the vehicle to a safe, controlled stop while driving under slippery road conditions. (Package option with disc brakes)





# TECHNOLOGY

## Advanced Manufacturing and Testing Technology

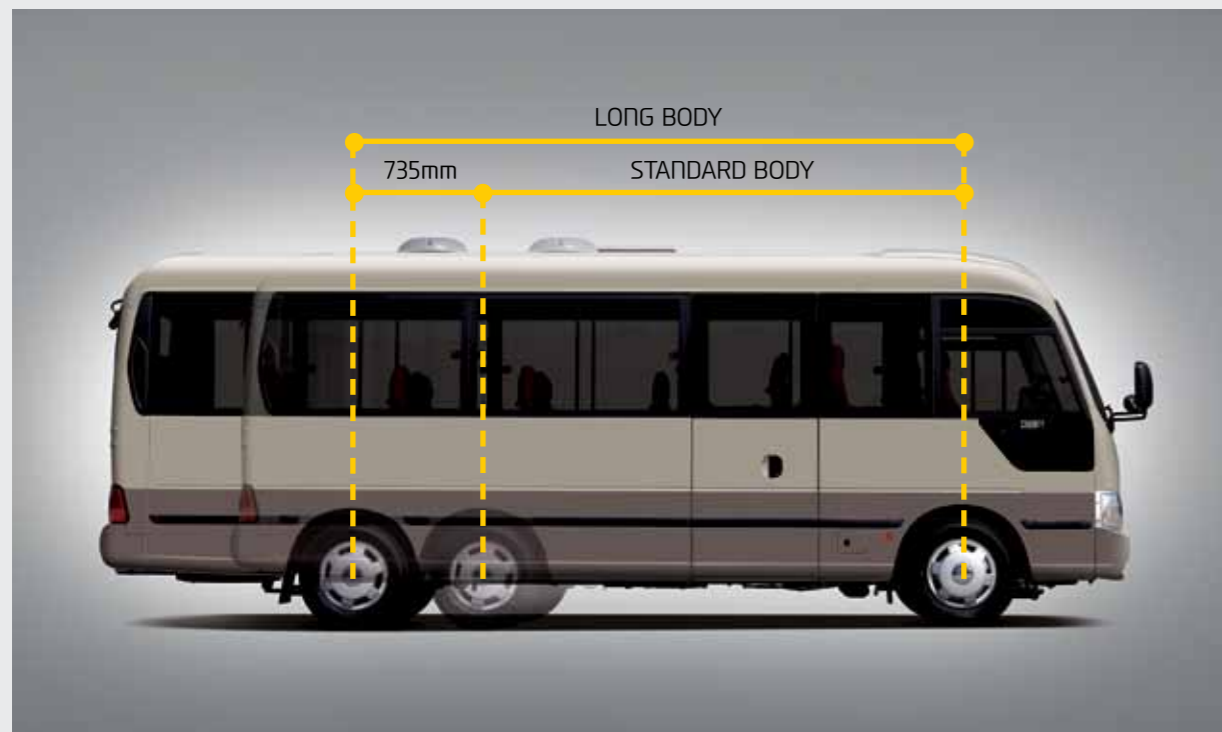
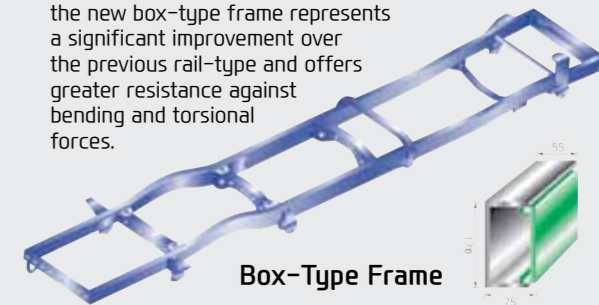
As a product of Hyundai advanced testing and manufacturing facilities, the County meets the highest standards of performance, durability and safety.



## Super Strong Frame

The County simply radiates a sense of solidness. The sturdy body on the box-type frame provides extra stability. The County's wide range of safety factors—both active and passive—ensures the best possible protection for all occupants. Further, the upsetting painting gives the body of the County overall protection against corrosion.

**Chassis Frame**  
Engineered with Computer Aided-Design tools, the new box-type frame represents a significant improvement over the previous rail-type and offers greater resistance against bending and torsional forces.



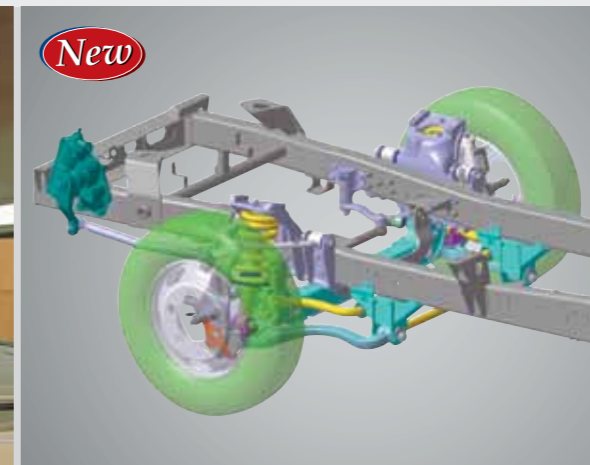
**Durability Test on Rough and Uneven Road Surfaces**



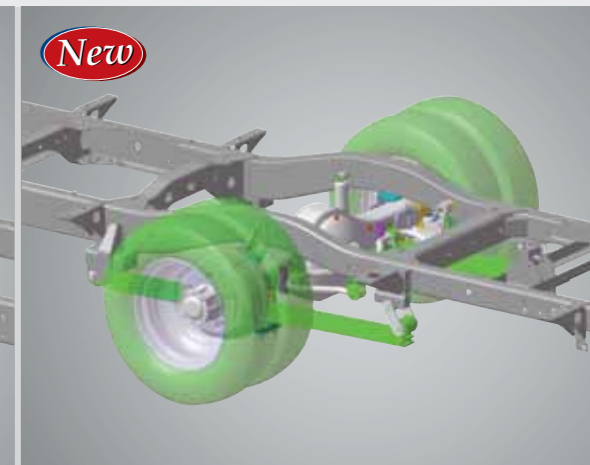
**Engine Bay**  
Electro static immersion system guarantees 100 percent coverage for greater resistance against rust.



**Electro Static Immersion System**  
Electro static immersion system guarantees 100 percent coverage for greater resistance against rust.



**Front Independent Suspension (D4GA Engine only)**  
– Double Wishbone + Coil Spring Typ



**Rear Long Span Taper Spring (D4GA Engine only)**



**Chassis Durability Test**



**Pre-Heater**  
The cabin warms up quickly thanks to the pre-heater system. (Optional)





**Door Step**  
Step surfaces is textured to prevent slipping when wet.



**Automatic Folding-Door**  
Featuring a highly reliable mechanism, the auto folding door will provide years of trouble-free use. (Deluxe model)

## TOP COMFORT TOP CONVENIENCE



**Semi-Cloth Seat**  
New cushions provides firm but gentle support and seat facings are upholstered in semi-cloth.



**Swing Out Type Door**  
Swing Out Type door provides stylistic complement to the body lines. Plus, they have been redesigned for quieter operation and easier access.(Deluxe option)



**Rear Luggage Compartment**



**Linoleum Floor Mat**



**Double Locking System**  
The basic feature deters theft and prevents accidental starting.



**H-470 Audio Systems (Option)**



**Microphone (Option)**



**H-420 Audio Systems**

## HIGH QUALITY & DESIGN New County 2 Door BUS



- 1. More room for standing** The spacious interior assures best-in-class comfort for passengers and facilitates passenger interaction.
- 2. Stanchion bar** Stanchion bars assure passenger's safety and comfort.



**Convenience for entry and exit**  
With the additional rear door, new County emphasizes comfort for entry and exit

**Spacious door for both Mid and Rear Entry and Exit**

	Door type	Width	Height
Mid & Rear	Folding	663mm	1,745mm



## Equipments



### Power Steering

This optional feature (Deluxe only) reduces the steering effort and enhances driver comfort and convenience.



### Tilt Steering

The steering wheel angle can be easily adjusted to suit the driver personal preferences. (Standard)



### Telescopic Steering

This standard feature enables the driver to position the wheel at a perfect height for relaxed driving and a perfect view of the gauge cluster.



### Rear View Mirror & Overhead Lamp

While a console in the roof serves some map-reading lights for convenient, wide inside rear view mirror enhances safe driving.



### Sunvisor

Driver and passenger sunvisors block out the sun for safer, more confident driving. (Driver: Standard, Passenger: Option)

## Color Guide



CK(Soft beige / Milky Brown)



MB(Scarlet Red / Soft Beige White)



EY(Soft Blue / Vanilla White)



HJ(Sunny Yellow)

## Main Specifications

Drive Type	LHD, 4X2										
Body Type	Standard					Long					
Door Type	1		2			1			2		
Seat Capacity	14+1	18+1	15+1	24+1	16+1	24+1	26+1	28+1	29+1	19+1	

### Dimensions (mm)

Overall Length	6,350					7,085						
Wheel Base	2,035											
Overall Height	2,630 ( Air Con : 2,755 )											
Overall Width	3,350					4,085						
Wheel Tread	Front	1,705				1,495						
	Rear	1,495				1,705						
Overhang (Bumper)	Front	1,195					1,805					
	Rear	1,805					1,195					
Body Inside	Length	5,525					6,260					
	Width	1,910					1,860					
	Height	1,860					1,910					
Min. Ground Clearance	195											

### Weight (Kg)

Seat Capacity	Front	24+1(D4AL / D4DB / D4DB-d / D4DD)	24+1(D4GA14 / D4GA15)	28+1(D4AL / D4DB / D4DB-d / D4DD)	28+1(D4GA14 / D4GA15)
Empty Vehicle Weight		3,760 / 3,845 / 3,845 / 3,985	4,165 / 4,185	3,670 / 3,845 / 3,845 / 4,425	4,405 / 4,425
Gross Vehicle Weight*		6,360		7,400	
	Rear	2,260		3,000	
	Front	4,100		4,400	

\* Max.GVV includes the front & rear axle loads based on the permissible tire load.

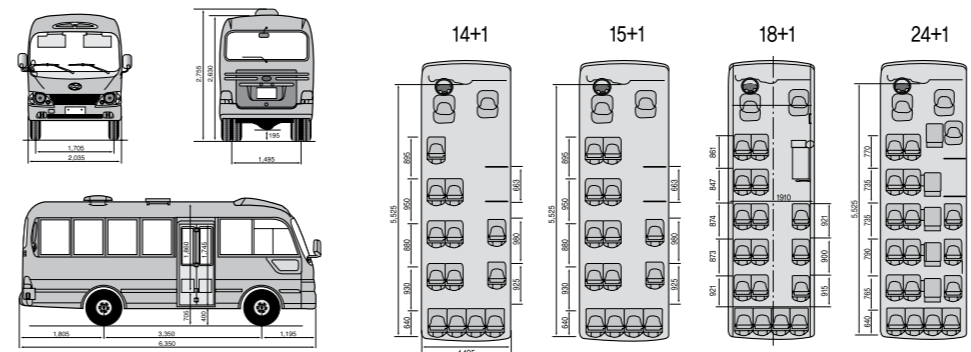
### Calculated Performance

Engine*	D4AF / D4DC / D4AL / D4DB-d / D4DB / D4DD / D4GA14 / D4GA15					
Max. Speed	Km/h	109 / 104 / 109,107 / 120 / 110 / 115 / 113 / 140				
Max. Gradeability	tanθ	0.35 / 0.30 / 0.33,0.34 / 0.37 / 0.38 / 0.39 / 0.36 / 0.53				
Min. Turning Radius	m	6.2			7.4	

### Annotations

- 1) This vehicle specifications may differ per country and allow for production tolerance.
- 2) Empty vehicle weight includes weight of oil, fuel, coolant and spare tire carrier & bracket, spare tire but excludes standard tool set.
- 3) Hyundai Motor Company reserve the right to make change in specifications, equipments and design,or to discontinue models or options without notice at any time.

## County Standard

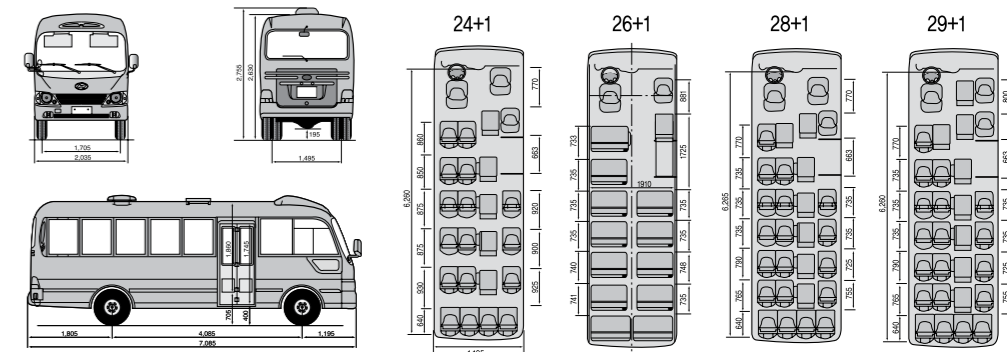


## Specifications

Body Type	Standard	Standard / Long								
Engine	Model	D4AF	D4DC	D4AL	D4DB-d	D4DB	D4DD	D4GA14	D4GA15	
	Type	Natural Aspiration			Turbo Charger Intercooler					
		4 stroke-cycle, water-cooled, direct-injection								
Max. Power** (ps/rpm)	Number of Cylinder	4 in-linediesel engine								
	General	100 / 3,400	-	-	-	-	-	-	-	-
	Euro I	-	120 / 3,200	-	-	151(Gen.1301Gen.Cold/2300)	-	-	-	-
	Euro II	-	-	115 / 3,000	120 / 2,900	130 / 2,900	-	-	-	-
	Euro III	-	-	-	-	-	140 / 2,800	-	-	-
Max. Torque** (kg.m/rpm)	Euro IV	-	-	-	-	-	-	140/2,700	150/2,500	
	General	24 / 2,000	-	-	-	-	-	-	-	
	Euro I	-	30 / 2,000	-	-	-	-	-	-	
	Euro II	-	-	30 / 1,800	30 / 2,000	38 / 1,600	-	-	-	
Euro III	-	-	-	-	-	38 / 1,600	-	-		
Euro IV	-	-	-	-	-	-	38/1,400	59 / 1,400		
Battery	24V-80AH (24V-100AH : Cold Region only)									
Transmission	Model	M2S5	M3S5			M03S5S			T060S5	
	Type	5 Forward and 1 reverse speed, over drive								
Rear Axle	Model	D2H	D2H II	D2H II / D2H		D3H / D033H		D033H	R130HS	
	Ratio	6.333	6.142	6.142 / 6.333		5.375 / 5.000		5.375 / 5.000	3.692	
Front Axle	Reverse Elliot type " I " beam / Independent Suspension (D4GA 14/15 only : OPT)									
Tire	Front / Rear	7.00R 16 - 10PR (Stanard), 7.00R 16 - 12PR (Long), 205/70R17.5-10PR (D4GA14/15 : STD)								
Brake	Service Brake	Hydraulic with vacuum servo assistance, dual circuit								
	Parking Brake	Integral expanding type on propeller shaft at the rear of transmission								
	Exhaust Brake	Vacuum operated, butterfly valve type								
Suspension	Semi-elliptic, laminated leaf springs with shock absorber / Long Taper Spring with independent suspension (D4GA 14/15 only : OPT)									
Fuel Tank	95 liter (Steel)									
Door	Driver's Door	Manual Swing Type								
	Middle Door	Two Sections inward Manual Folding Type								
	Rear Door	Two Sections inward Automatic Folding Type (DLX Trim or OPT)								
Air con.	Two Sections inward Manual Folding Type (STD Trim)									
	Two Sections inward Automatic Folding Type (OPT)									
Capacity (kcal/h)	10,000									

\* Max. power and torque of engine specifications may vary according to each country.

## County Long



### Speakers

High fidelity 5.25-inch speakers deliver concert hall-like acoustics for your listening pleasure.



### Door Switch

The one touch-type door switch is located at the driver fingertips and is easy to use.



### Glove Box

The spacious glove box is located in front of the co-driver seat and provides a handy storage space for personal items and travel essentials.



### Fluorescent Lamp

Passengers will appreciate the bright illumination provided by the fluorescent lamp. (Standard on Super model)



### Digital Clock

Its overhead location lets everyone see the time. (Package option with A/Con)



### Door Pocket

For a convenience of driver, large door pocket is provided to carry variety of small goods for travel.



### Free-Flow Ventilator

The free-flow ventilator circulates a steady stream of air throughout the cabin for the greater comfort of the passengers and driver.



### Fuse Box

Located below the instrument panel for easy fuse checks and replacements.



### Gear Box

Using cable linkages, gear shifts now require a shorter stroke and reduced effort for the greater convenience and comfort of the driver.



### Power Clutch

Hydraulic assistance requires less clutch pedal effort thus reducing driver fatigue.



### Electric Ventilator

The electric fan improves cabin ventilation and comes with the air conditioning package option.



### Roof Ventilator

Centrally located roof ventilator provides an auxiliary source of fresh air and always comes in handy.



### Radial Tires & Wheel Covers

Radial tire is standard on the all models.



### Large Windshield Wiper

Large windshield wipers guarantee better visibility to driver at any bad weather